



APPLEX
GROUP

WE TRANSFORM
TECHNOLOGY
SOLUTIONS

www.applexgroup.com



www.applexgroup.com



APPLEX TECHNOLOGIES

- ◆ 2D-3D Modeling
- ◆ Engineering Animation & Mechanism
- ◆ Knowledge Based Engineering (KBE)
- ◆ Design Automation
- ◆ Plant Layout and Design
- ◆ Engineering and Piping Stress Analysis



APPLEX INFOTECH

- ◆ Website Design & Development
- ◆ Mobile Application development
- ◆ Customize Software Development
- ◆ Process Automation Solutions
- ◆ Process Gap Identification
- ◆ Solutions for sales, HR, Finance & All Modules



APPLEX 360

- ◆ Virtual Tour
- ◆ Virtual Reality
- ◆ 3D- Floor Plans
- ◆ Graphic Design
- ◆ Digital & Social Media Marketing



APPLEX ANALYTICS

- ◆ Data Integration
- ◆ Data Analysis
- ◆ Decision Support
- ◆ Dashboard Design





Your partner
for the **Design,
Development and
Automation**
of unique solutions

2D-3D Modeling

Engineering Animation
& Mechanism

Knowledge Based
Engineering (KBE)

Design Automation

Plant Layout and Design

Engineering and Piping
Stress Analysis

What **we are**.....?

- ▶ We provide different types of engineering solutions.
- ▶ We offer comprehensive range of engineering services, which consistently meet the quality specifications of the customers.
- ▶ Quality along with timely delivery of the solutions has been the hallmark of us.
- ▶ We deliver wide range of solutions across industry verticals: Automotive, General Engineering, Heavy Engineering, Oil & Gas, Power Generation, Aerospace & Marine.
- ▶ We provide wide range of services for Concept Design, Product Design, Parametric Modeling (KBE), Piping, Wire-Harness, Tool Fixture, Material Handling, 2D-Detailing & Drafting, Animation & Mechanism for assembly prototype, Data Migration, Reverse Engineering & Value Engineering, etc.
- ▶ We are committed, passionate about our work and we want to bring the same to your solutions.
- ▶ For completion time we use Program Evaluation and Review Technique (PERT)
- ▶ We follows systematic process as Meet, Define, Design, Deliver.



Why **us**.....

- ▶ Excellent product development knowledge and strong industry experience of our team.
- ▶ Scalability in terms of services provided. From Engineering support services to full product design through production co-ordination.
- ▶ We are focusing on providing our engineering design consultancy service to form long term business relationships and deliver innovative design solutions to their mechanical engineering projects.
- ▶ Entire product development, training, etc. under a single roof.
- ▶ Advantage is maintaining quality, low costing and high level engineering skill.



Technology.....

Redefining Web Technology with Immense Excellence on
Different Verticals



AUTOMOTIVE



OIL & GAS



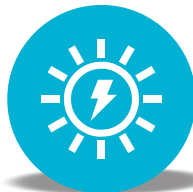
HEAVY ENGINEERING



WATER TREATMENT



AEROSPACE



POWER & ENERGY



INDUSTRIAL & CONSUMER

Expertise.....

We are expertise on some of following software tools...

C
A
D

PRO-ENGINEER (CREO)
CATIA
UNI-GRAPHICS
SOLID EDGE
INVENTOR /AUTOCAD

C
A
M

CAM
PRO-ENGINEER (CREO)
CATIA
UNI-GRAPHICS
SOLID WORKS

C
A
E

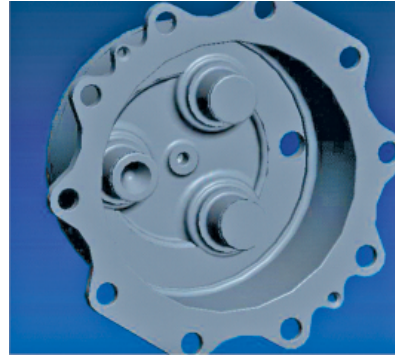
ANSYS
HYPERMESH
NASTRAN
SCILAB
CAESAR 2



Our **Services**.....

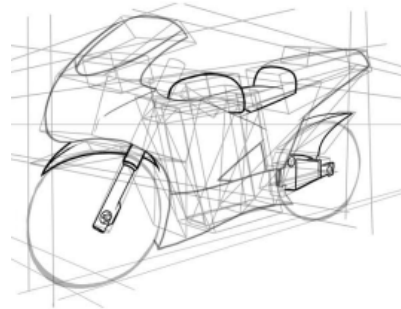
▶ **Product Design**

Design for manufacturing (DFM) concepts.
Ease of assembly using Design for Assembly (DFA) concepts. Function and strength of the components. If your basic design is ready, use our team for detailed design.



▶ **Concept Design**

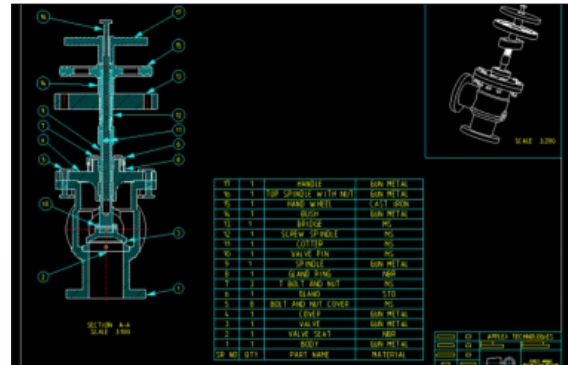
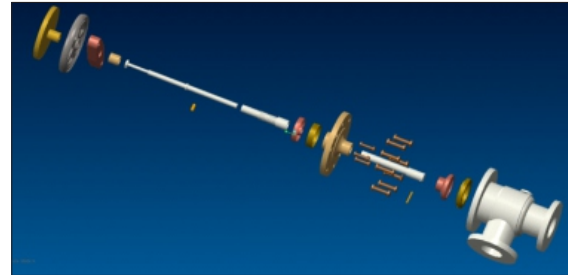
Creating the aesthetics and shape of the product from conceived ideas & providing it with colors and features, representing the same in the form of 2D pictures & photographs.



Our **Services**.....

► **3D Modeling & 2D Drawing**

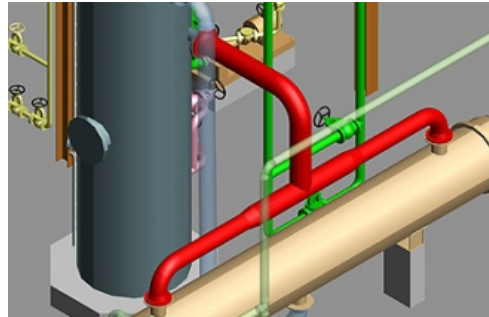
It includes solid and surface, parametric feature based assembly modeling, detailed engineering, piping and routing, design automation, legacy data conversion.



Our **Services**.....

► **Piping & Cabling (Wire-Harness)**

Improve time-to-market and reduce costs through virtual prototyping and automated routing. Achieve concurrent engineering via associatively; routed automatically update as the product design evolves. Quickly determine the best cabling route possible rather than wasting significant time with a trial-and-error approach. Increase the quality of your designs by providing the best route design possible.



Our **Services**.....

► **Knowledge Based Engineering (KBE)**

It is the process of capturing design product knowledge & reusing it. KBE lead to developing comprehensive parametric and automated CAD application package, which will generate complete 3D design and related 2D drawings for manufacturing all design variants.

In this figure, KBE system starts with customer requirements and end with customer satisfaction (C2C process).

In this C2C loop process have more four steps like KBE application design, design the 3D or 2D models, Graphical User Interface(GUI) development & integration of GUI and CAD data.

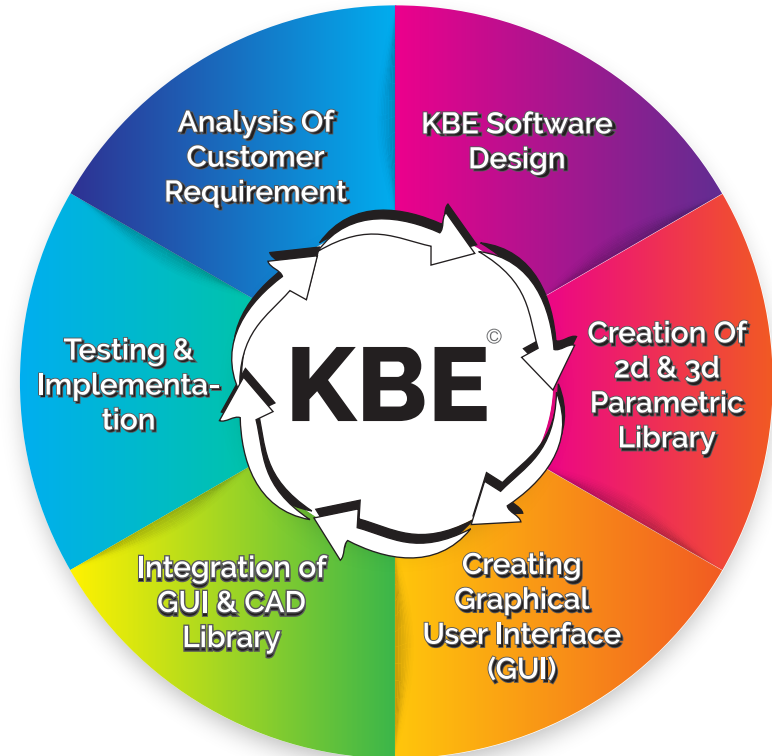


Our **Services**.....

▶ **Knowledge Based Engineering (KBE)**

▶ **Advantages**

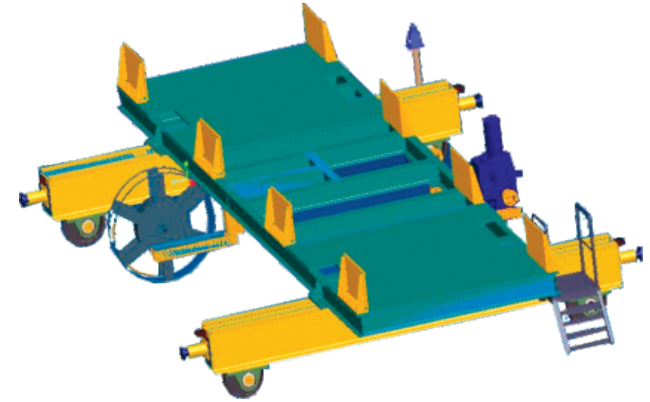
- ▶ Reduces time to market and lead time
- ▶ Reduce production costs
- ▶ Automates repetitive tasks
- ▶ More innovative
- ▶ Product, Optimizing the design is easy - trial and error goes fast
- ▶ Allows for the reuse of critical knowledge and designs
- ▶ Suitable for analysis and simulation processes
- ▶ Reduces overhead costs
- ▶ Skilled staff turnover is not a big problem
- ▶ Costs and time use can be reduced by 90%



Our **Services**.....

▶ **Material Handling Design**

Material Handling is the field concerned with solving the pragmatic problems involving the movement, storage in a manufacturing plant or warehouse, control and protection of materials, goods and products throughout the processes of cleaning, preparation, manufacturing, distribution, consumption and disposal of all related materials, goods and their packaging.



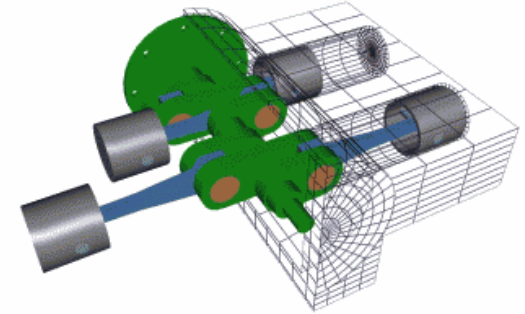
▶ **Our Scope in MH includes**

- ▶ Kitting Carts
- ▶ Paint Racks
- ▶ Transport Racks
- ▶ Storage Racks
- ▶ Lifting Device
- ▶ Trolley
- ▶ Stack Racks

Our **Services**.....

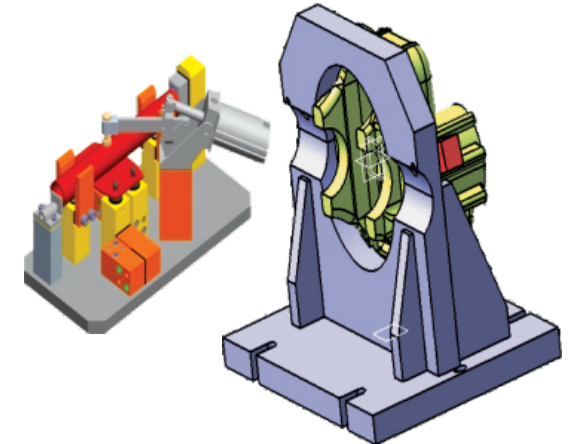
► **Animation & Mechanism**

Detailed 3D mechanical animation of parts, components and machines is very useful in visualizing a product or concept even before a prototype is produced. Product animations for mechanical assemblies or subassemblies can be used to showcase the functionality of a product.



► **Fixture Design**

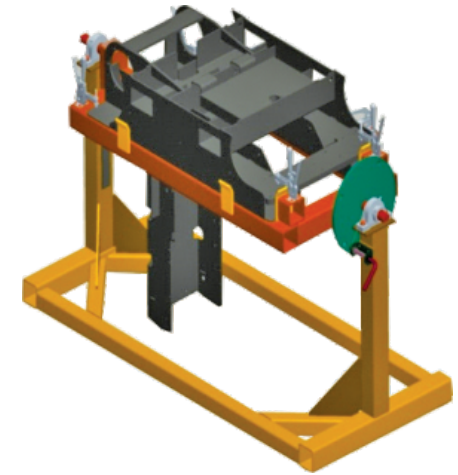
Design of Jigs and Fixtures, using the latest concepts & technologies. We have the experience in the Welding, Inspection or checking BIW, Machining fixtures design and detailed drawing creation. Our tool design engineers are experienced in working with software like Uni-Graphics, Pro-E, Catia, AutoCAD, etc and are supported by a highly experienced team of tool manufacturing engineers ensuring high quality tools are designed.



Our **Services**.....

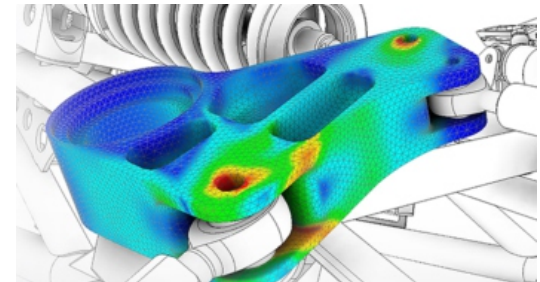
▶ **Our Capabilities in TFD includes**

- ▶ Assembly Fixtures
- ▶ Machining Fixtures
- ▶ Welding Fixtures
- ▶ BIW Door Fixtures
- ▶ Inspection Gauges
- ▶ Drill Fixtures
- ▶ Drill Jigs
- ▶ Pick off tools
- ▶ Masking Covers



▶ **Engineering Analysis**

It includes finite element Meshing/Modeling (FEM), finite element analysis (FEA) under Static, Dynamic, Linear, and Non-linear conditions covering several aspects like Stress, Thermal, Fatigue. Kinematic and dynamic analysis of machinery and simulation.



Our **Services**.....

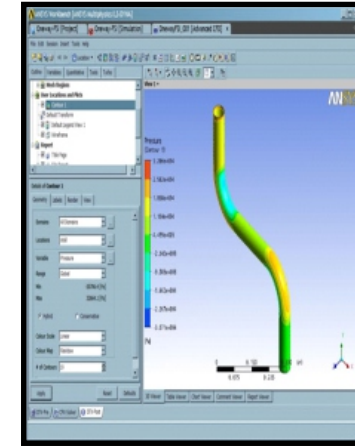
► **Our Scope in CAE includes**

- Thermal
- Structural
- Fatigue
- Vibrational

► **Value Engineering**

Applex technologies has expertise in providing value-engineering services for its clients. Value engineering seeks optimum value by balance in performance and cost.

An inadequate performance of a product at very low cost will not yield good value, if it does not meet the functionality. Hence Applex Technologies improves the value by eliminating unwanted weight, shape and on the whole optimize the product.



Our **Services**.....

► **Reverse Engineering**

Applex Technologies provides reverse engineering service associate with Geometry Design Service. The process of reverse engineering involves the measurement of components using a wide variety of measuring devices. Applex Technologies has access to a 7-axis portable Ferro arm laser scanner for measuring components of high complexity. For other components, based on the level of complexity, we have metrological instruments approach. The measurements thus derived are used to create 3D models and 2D drawings using industry standard mechanical CAD software. The choice of the software is dependent on end users requirement. Applex Technologies has very good experience on Reverse Engineering activities which is carried out in a precise manner to ensure the best possible accuracy of the product. Through this service, Applex Technologies aids its client in modifying their existing product design to suit new requirements and standards.



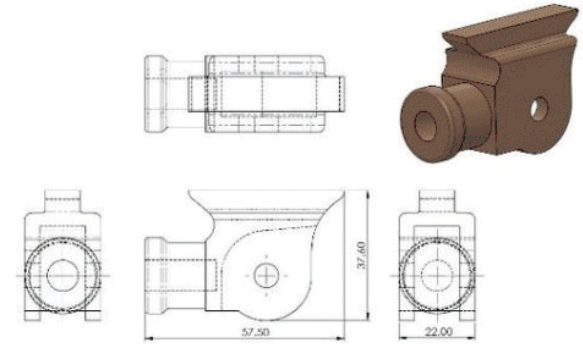
Our **Services**.....

► **Legacy Data Migration**

Applex Technologies has expertise in migrating non-parametric legacy data / drawings / images to parametric 3D models.

Legacy data (manual drawings/images/sketches) in hard or soft copy form, in bulk quantities pose a problem for easy maintenance & retrieval. We provide a customized service for migration/conversion to a digital format in accordance with clients standards or specific national standards. The output of legacy Data Migration is a 3D Solid/Surface model and 2D drawings in any of the widely used Mechanical CAD software.

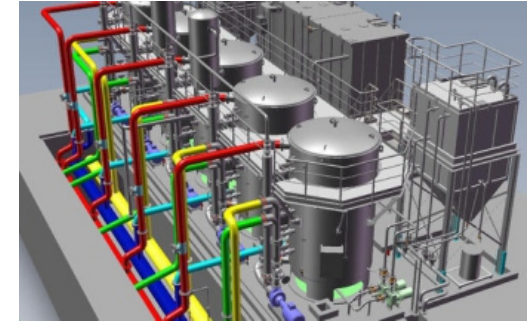
We performs the legacy data migration services in accordance with client specification which typically includes Fits and Tolerance, Geometric Dimensional & Tolerance, surface finish, material specifications and engineering notes.



Our **Services**.....

► **Plant Design Engineering**

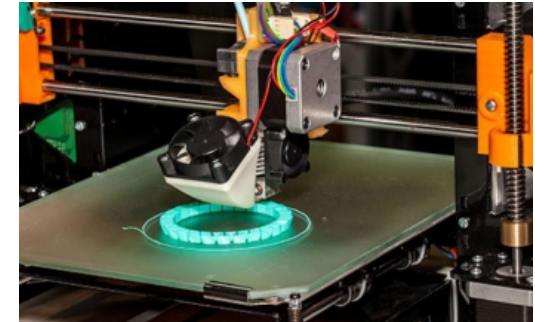
Applex Technologies offers multi disciplinary engineering services and dedicated project management and planning support for water treatment plant, power plants, oil & gas, petrochemical, chemical, and energy projects. We offer a wide range of engineering services including basic engineering, extended basic engineering, detailed design, 3D modeling, and project management. For this we use the software like Auto-CAD Plant 3D helps us deliver 3D models of plants. All designs are rigorously monitored for compliance to safety codes, data integrity, interference, customer standards and engineering practices.



► **Manufacturing Support**

We strive to help our customers through production planning, which is at the core of all manufacturing processes. The purpose of production planning is to make an efficient use of the available resources during the manufacturing process, minimize costs and time to market, and increase the efficiency of the workplace.

The manufacturing services that we offer cover every aspect of the manufacturing or production process, from the conceptual design stage to the final manufacturing and testing stage. In brief, our techniques can help you become a leaner and more efficient business.



Brings **Clients...**

A Fortune With Real Results

Schlumberger



DURA
Automotive Systems



SOUND
Sound Castings Pvt Ltd,
Kolhapur



Satyajee Mechanism,
Kolhapur

FORGE-O-MATIC
Engineering Private Limited
MFRS. OF: Electrically upset forged parts
for Automobile & other Industries





Contact us.....

CORPORATE OFFICE :

Office No. 34, 5th Floor,
Galleria Apartment,
Near Vidya Sahakari Bank,
Next to Hotel Sheetal, Karve Road,
Mayur Colony, K
othrud, Pune 411038.



Find out more at:
www.applexindia.com

Reach us @:
contact@applexindia.com

Contact :
(+91) 9673306466



Thank you.

For your precious time and your attention.